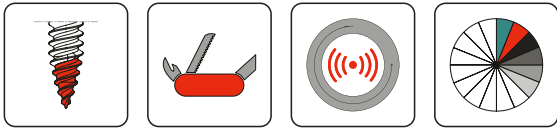
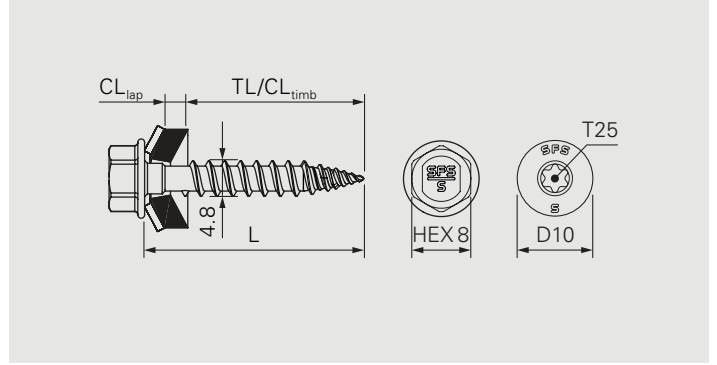


# CXLW-4.8



## Application

- Fastening of overlaps of profile sheets
- Fastening of overlaps of sandwich panels
- Fastening of metal profile sheets onto timber
- Fastening of flashing onto profile sheets
- Fastening of flashing onto sandwich panels

## Component 1 (t<sub>I</sub>)

Steel	0.40–1.0
Steel	2×0.40–0.75
Steel	2×0.40–1.0

## Component 2 (t<sub>II</sub>)

Steel	0.40–1.0	2.0
Steel	2×0.40–0.75	3.0
Timber	$l_{ef} \geq 23.0$	–

$\Sigma_{max} t_I + t_{II}$

## Fastener material

Austenitic stainless steel A2/A4, hardened speed point  
Sealing washer: Special AV-Shape with EPDM sealing

## Approvals



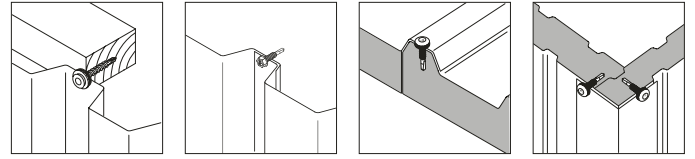
## Features and Benefits

- Fast and chip-free installation thanks to the FastTip®
- Self drilling fastener suitable for fastening of overlaps and flashings
- Hybrid fastener suitable for fastening onto metal and timber subconstruction (RF)
- No scratches on painted metal surfaces thanks to the sharp FastTip®
- Secured against unwinding given by cut-off thread-end and free-spin zone
- No torque control required given by free-spin zone
- Cost saving installation due to pre-drilling of metal sheets no longer necessary
- High quality EPDM sealing washer with special AV-Shape for highest clamping range and long-term weather sealing

## Documentation

Approval document (ETA) | Declaration of performance (DoP)

All measures in mm

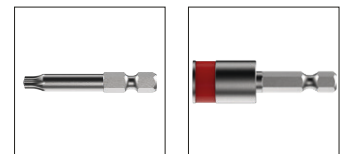


## Fastener in A2 onto steel and timber

Product code	PU	L	CL <sub>lap</sub>	CL <sub>timb</sub>	t <sub>fix, timb</sub>	A11	AV14	AV16
CXLW-AV14-4,8×28-A2	100	28	0.80–3.50	0–23	0–2	–	1747623	1749183
CXLW-AV14-4,8×28-A2	500						1659057	1749230
CXLW-D10-A11-4,8×28-A2	100	28	0.80–2.50	0–23	0–2	1748193	–	–
CXLW-D10-A11-4,8×28-A2	500					1747805	–	–

## Fastener in A4 onto steel and timber

Product code	PU	L	CL <sub>lap</sub>	CL <sub>timb</sub>	t <sub>fix, timb</sub>	A11	AV14	AV16
CXLW-AV14-4,8×28-A4	100	28	0.80–3.50	0–23	0–2	–	1747812	1748204
CXLW-AV14-4,8×28-A4	500						1747773	1748209
CXLW-D10-A11-4,8×28-A4	100	28	0.80–2.50	0–23	0–2	1748220	–	–
CXLW-D10-A11-4,8×28-A4	500					1748223	–	–



## Accessories/Ancillaries

Product code	PU	Drive	Head drive	L	
T25W-25-HEX¼"	1	¼"	T25W	25	7662
E308-¼"-50			HEX8	–	1646160

### All measures in mm

All information is non-binding and without guarantee. Before using the products, all specifications and calculations must be checked by a suitably qualified person and local regulations must be observed. This document is subject to revision. We reserve the right to make technical changes.