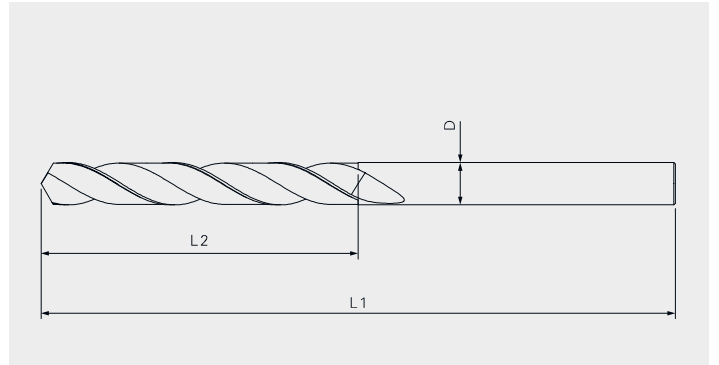


HSS drill bits



Application

Drilling in construction steel and timber

Approvals

—

Material

HSS high speed steel

Features and Benefits

- For construction steel and timber
 - Short spiral groove for better stability
 - Insert ends: smooth shank
-

HSS drill bits

Product code	PU	D	L1	L2	
HSS-4,9×62/26	10	4.90	62	26	69585
HSS-5,0×60/31	10	5.0	60	31	1046721
HSS-5,0×90/31	10	5.0	90	31	1046723
HSS-5,0×125/31	10	5.0	125	31	1046724
HSS-5,0×175/31	5	5.0	175	31	1206462
HSS-5,0×220/31	5	5.0	220	31	1046726
HSS-5,0×250/31	5	5.0	250	31	1206458
HSS-5,3×60/31	10	5.30	60	31	1046734
HSS-5,3×95/31	10	5.30	95	31	1046735
HSS-5,3×125/31	10	5.30	125	31	1206451
HSS-5,3×175/31	10	5.30	175	31	1046738
HSS-5,3×220/31	5	5.30	220	31	1206450
HSS-5,3×250/31	5	5.30	250	31	1046740
HSS-5,3×290/31	5	5.30	290	31	1046751
HSS-5,5×60/31	10	5.50	60	31	1046752
HSS-5,5×95/31	10	5.50	95	31	1046753
HSS-5,5×125/31	10	5.50	125	31	1046754
HSS-5,5×175/31	10	5.50	175	31	1046755
HSS-5,5×220/31	5	5.50	220	31	1046756
HSS-5,5×250/31	10	5.50	250	31	1046757
HSS-5,5×290/31	5	5.50	290	31	1046758
HSS-5,7×60/31	10	5.70	60	31	1046760
HSS-5,7×95/31	10	5.70	95	31	1046772
HSS-5,7×125/31	10	5.70	125	31	1046773
HSS-5,7×175/31	10	5.70	175	31	1206429
HSS-5,7×220/31	5	5.70	220	31	1206428
HSS-5,7×250/31	5	5.70	250	31	1046777
HSS-5,7×290/31	5	5.70	290	31	1206427
HSS-5,8×60/31	10	5.80	60	31	7870
HSS-5,8×100/31	10	5.80	100	31	7872
HSS-5,8×125/31	10	5.80	125	31	7891
HSS-5,8×200/31	10	5.80	200	31	7894
HSS-5,8×260/31	10	5.80	260	31	7896
HSS-5,8×300/31	10	5.80	300	31	1238831
HSS-6,5×101/63	10	6.50	101	63	893457