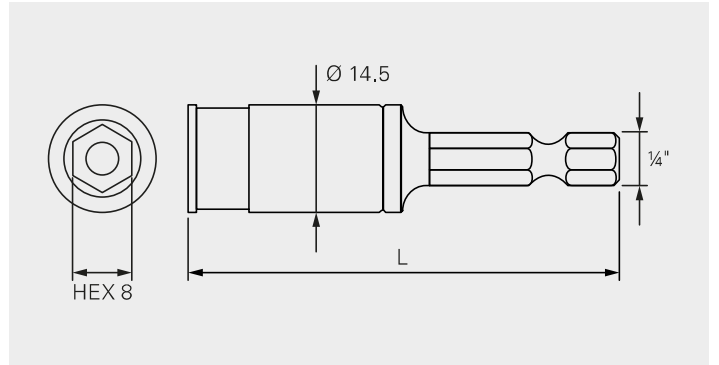


SOK-IT®



Application

Installation of all fasteners from diameter 4.8–6.3 mm
6Nm for stainless steel fastener (black)
8Nm for carbon steel fastener (gold)

Approvals



Material

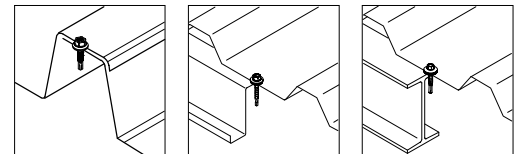
With an 1/4" drive
With a safety ball for ideal hold

Features and Benefits

- No fastener breakages due to limited setting torque
- Reliable fastening when using both standard screwdrivers and impact wrenches
- Reduces downtime and costs due to safe installation with all standard setting tools
- Two different torque levels (6+8Nm) for different applications and fasteners
- min. 5000 pcs. safe installations when used correctly

Accessories/Ancillaries

Product code	PU	Drive	Head drive	
SOK-IT-¼"-57-6Nm	1	¼"	HEX8	1667323
SOK-IT-¼"-57-8Nm	1	¼"	HEX8	1667322



Recommended for the following SFS fastener

Stainless steel fastener	Torque force
SX14-5,5	6Nm
SX5-5,5	6Nm
SX3-6,0	6Nm
SXW-6,5	6Nm
SL2-S-6,3	6Nm

Carbon steel fastener	Torque force
SD14-H15-5,5	8Nm
SD14-5,5	8Nm
SD6-H15-5,5	8Nm
SD5-5,5	8Nm
SL3-H15-6,3	8Nm
SL2-H15-6,3	8Nm
SL2-4,8	8Nm
CDM-4,8	8Nm