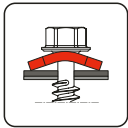
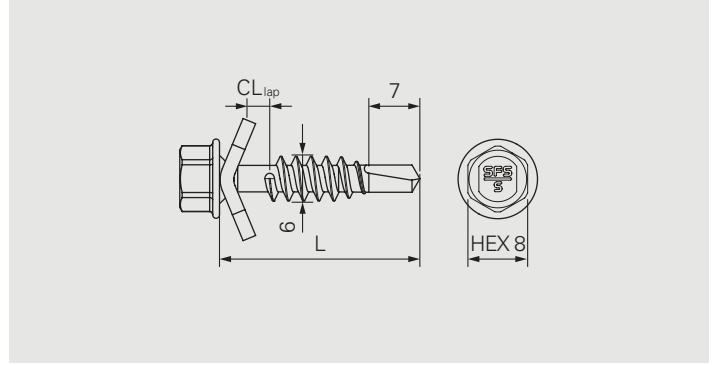
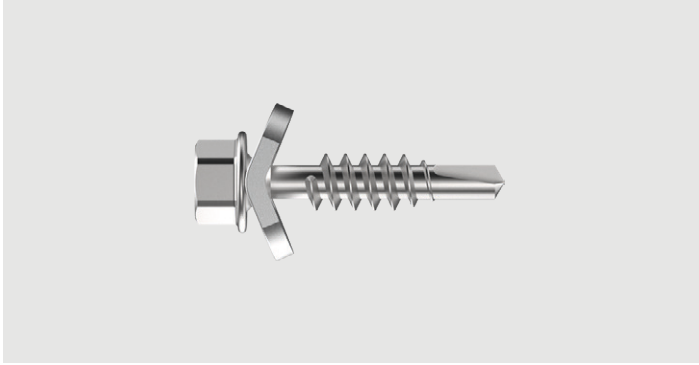


# SXL3-6.0



## Application

Fastening of metal profiles onto sandwich panels  
 Fastening of metal profiles onto profile sheets  
 Fastening of metal profiles onto metal decks, liner trays

## Component 1 (t<sub>I</sub>)

Steel 1.0–2.0  
 Aluminium 1.50–3.0

## Component 2 (t<sub>II</sub>)

Steel 0.63–2×0.90  
 Steel 0.63–2×0.90

## Σ<sub>max</sub> t<sub>I</sub>+t<sub>II</sub>

3.80  
 4.80

## Fastener material

Austenitic stainless steel A2/A4, hardened drill point  
 Curved disc: Austenitic stainless steel A2/A4

## Approvals



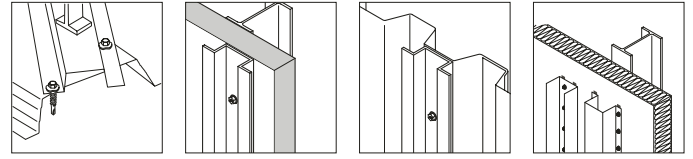
## Features and Benefits

- Self drilling fastener suitable for installation of metal profiles onto thin metal sheets
- High clamping range with clamping force independent of the clamping thickness given by the spring washer
- Secured against unwinding given by cut-off thread-end and free-spin zone
- No torque control required given by free-spin zone
- High tension and shear resistance achieved by optimized fastener geometry

## Documentation

Approval document (ETA) | Declaration of performance (DoP)

All measures in mm



## Fastener in A2 onto steel and aluminium

Product code	PU	L	CL <sub>lap</sub>	SV16
SXL3/2-5-S-SV16-6.0×27	500	27	1.90–4.80	1071554

## Fastener in A4 onto steel and aluminium

Product code	PU	L	CL <sub>lap</sub>	SV16/A4
SXL3/2-5-S-SV16/A4-6.0×27-A4	500	27	1.90–4.80	1426185



## Accessories/Ancillaries

Product code	PU	Drive	Head drive	
E308-¼"-50	1	¼"	HEX8	1646160

### All measures in mm

All information is non-binding and without guarantee. Before using the products, all specifications and calculations must be checked by a suitably qualified person and local regulations must be observed. This document is subject to revision. We reserve the right to make technical changes.