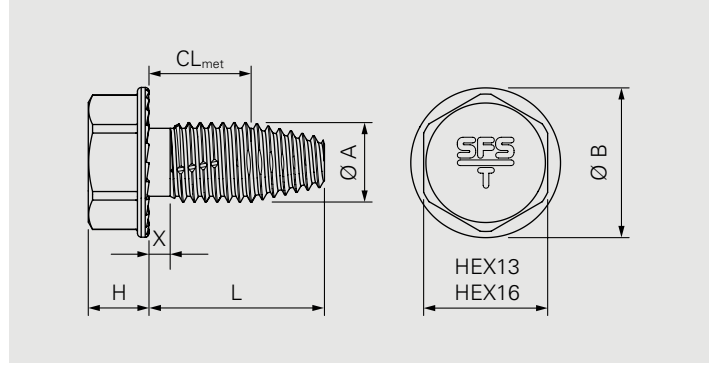
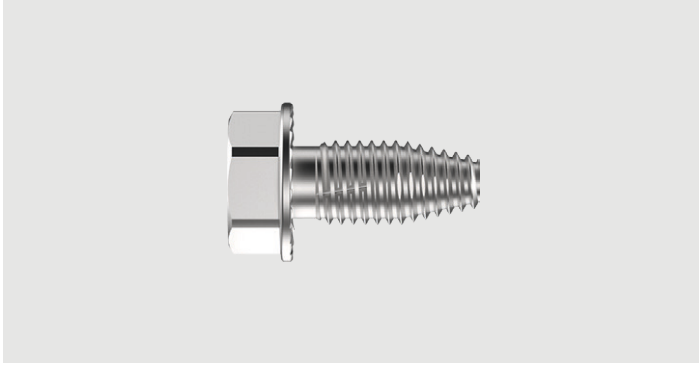


# nonut<sup>®</sup>



## Application

Structural connections of metal profiles

## Component 1 (t<sub>I</sub>)

Steel

## Component 2 (t<sub>II</sub>)

Steel

$\Sigma_{\max} t_I + t_{II}$

—

## Fastener material

Carbon steel, Saltspraytest NSS 1440h without red rust

## Approvals



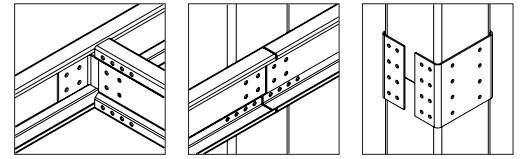
## Features and Benefits

- Self tapping fastener suitable for structural connections
- Blind fastening – simple one side installation compared to nut and bolt
- Fast and user friendly installation with impact wrench
- Centering of the pre-punched metal profiles thanks to conical thread start
- Patented thread design for optimized thread forming capability
- High tension and shear resistance achieves by optimized fastener geometry
- Highest safety regarding over-winding and self-loosening

## Documentation

Approval document (ETA) | Declaration of performance (DoP)

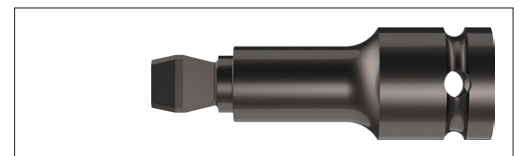
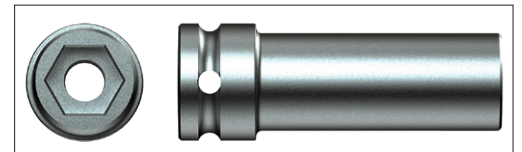
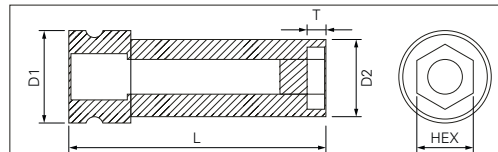
All measures in mm



## Fastener in carbon steel onto steel

Product code	PU	L	CL <sub>met</sub>	Head	Ø A	Ø B	x	H	
nonut®-TDBL-T-8,6×16	200	16	0-9	HEX13	8.60	16.0	2.0	7	1542214
nonut®-TDBLF-T-F-8,6×16*							<1.0	4.7	1541860
nonut®-TDBL-T-8,6×50	100	50	0-43				3.0	7	1607124
nonut®-TDBL-T-10,6×23	100	23	0-13	HEX16	10.60	20.0	3.0	8	1542223
nonut®-TDBLF-T-10,6×23							<1.50		1542229
nonut®-TDBL-T-10,6×30		30	0-20				3.0	1542217	
nonut®-TDBL-T-10,6×50		50	0-40					1561761	
nonut®-TDBLF-T-13,4×23	100	23	0-13	HEX16	13.40	22.0	<2.0	8	1589570
nonut®-TDBLF-T-13,4×23		33	0-23						1592605

\*Flat head



## Accessories/Ancillaries

Product code	PU	Drive	Head drive	L	T	D1	D2	
E313-¼"-50	1	¼"	HEX13	50	6	-	20	508029
E513-½"-78				78		25	21	1649258
E416-½"-40			HEX16	40	7	30	24	1389740
E516-½"-78 red.				78	8	22	22	1649257
E516-½"-78		78	30	25	1649256			
ZAW-½"-75		½" sq.	½" sq.	75	-	25	16	1684227
ZAW-½"-150	150					1684205		

### All measures in mm

All information is non-binding and without guarantee. Before using the products, all specifications and calculations must be checked by a suitably qualified person and local regulations must be observed. This document is subject to revision. We reserve the right to make technical changes.